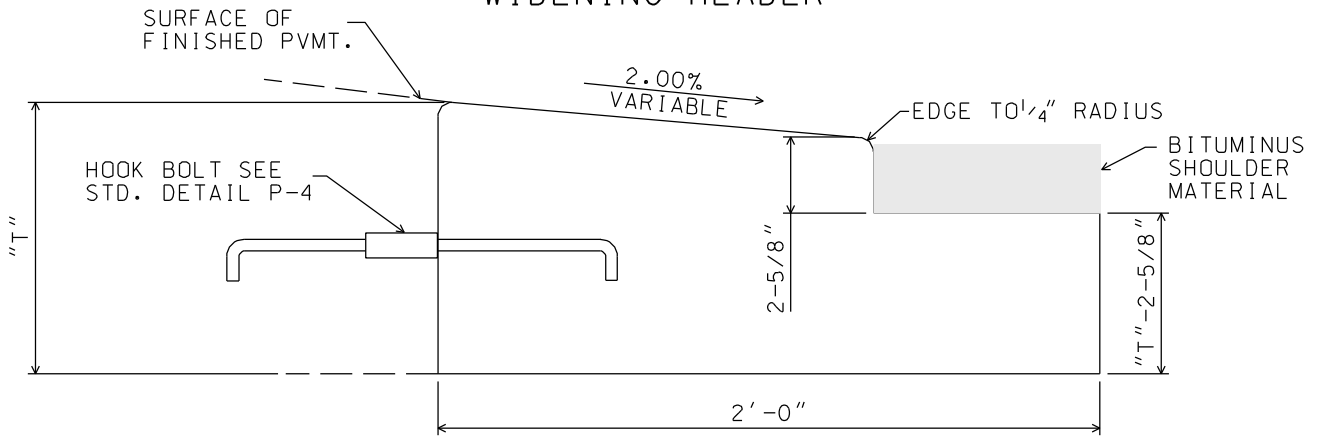
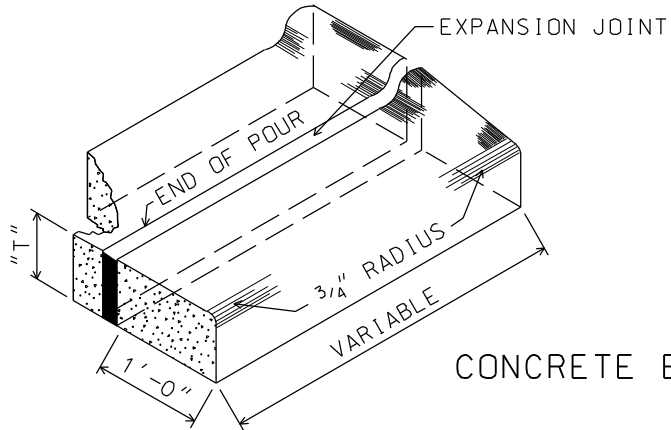


WIDENING HEADER



SECTION A-A "T" IS EQUAL TO PAVEMENT THICKNESS



CONCRETE END HEADER

P	P			
O	O			
N	N			
M	M			
L	L			
K	K			
J	J			
I	I			
H	H			
G	G			
F	F			
E	E			
D	D			
C	C			
B	B			
A	A			
DESCRIPTION		DRW	CHK	DATE
REVISIONS				

CITY OF SOUTHFIELD  
STANDARD DETAIL

HEADER DETAIL

ISSUE: 2000      SD#: P - 8

SHEET:              SCALE: N.T.S.

