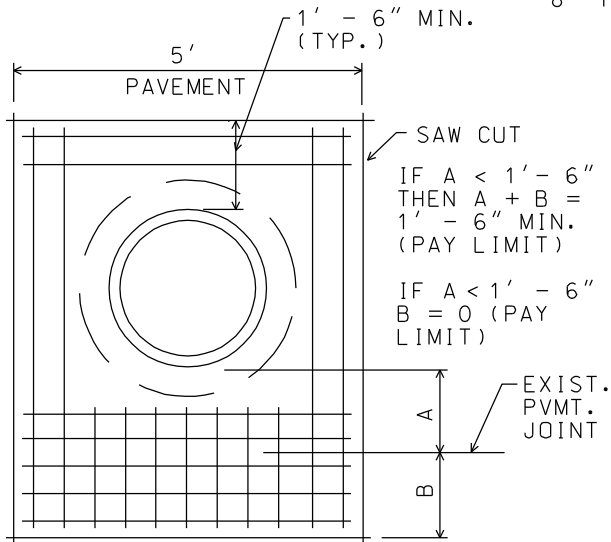


MANHOLE LOCATED AT EDGE OF PAVEMENT

EXPANSION JOINT W/PREMOULDED FILLER (NON - EXTRUDING) AND SEALED WITH HOT POURED RUBBER TYPE SEALER (TYPICAL)

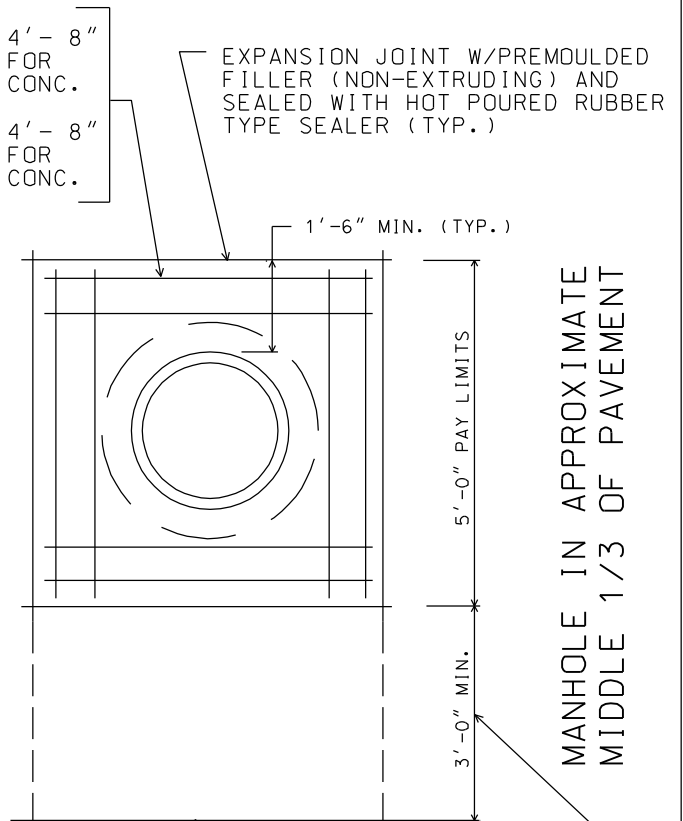
2 - #4 \times 4' - 8" EA. SIDE FOR 6" THICK CONC.
 2 - #5 \times 4' - 8" EA. SIDE FOR 8" THICK CONC.

EXPANSION JOINT W/PREMOULDED FILLER (NON-EXTRUDING) AND SEALED WITH HOT POURED RUBBER TYPE SEALER (TYP.)



MANHOLE NEAR JOINT

EXIST. JOINT, EDGE OF PVMT. OR BACK OF CURB



IF THE DIMENSION IS LESS THAN 3', THEN EXTEND CUT TO EDGE & REPLACE ALL CONCRETE (NO ADDITIONAL COST)

P	P			
O	O			
N	N			
M	M			
L	L			
K	K			
J	J			
I	I			
H	H			
G	G			
F	F			
E	E			
D	D			
C	C			
B	B			
A	A			
DESCRIPTION		DRW	CHK	DATE
REVISIONS				

CITY OF SOUTHFIELD
STANDARD DETAIL

BOXOUT REINFORCEMENT

ISSUE: 2000

SD#: P - 4A

SHEET:

SCALE: N.T.S.

